



FRANCE
TRUBRITE
LED CORNBULBS & SIGN KITS



✓
RoHS



MEET THE COOLEST KID ON THE BLOCK

COOLEST SYSTEM
STAINLESS COOLING SYSTEM
TO EXTEND LED LIFE

TRUMATCH WARRANTY
5P / 1L WITH FRANCE LEDS

INTERNAL SURGE PROTECTION
LOAD CONTROL TO PROTECT
THE LEDS IN EXTREME CONDITIONS



ASK YOUR DISTRIBUTOR OR OUR REPRESENTATIVE FOR MORE INFORMATION



FranceLEDProducts.com
2268 Fairview Blvd.
Fairview, TN 37062
sales@sfg.com
800.793.4793

KOR
VISUAL GROUP
building significant brands

U.S. & CANADA REPRESENTATIVES

SCOTT CUTCHER
Central & Eastern U. S. | Eastern Canada

CALVIN ROLLYSON
Western U. S. | Western Canada

EMAIL: SALES@KORVISUALGROUP.COM | PHONE: (615)-900-0966



LED CORNBULBS & SIGN KITS

FRANCE TRUBRITE GEN II CORNBULBS

54W | 75W | 100W | 120W

CORE APPLICATIONS:

- LARGE CABINET SIGN LIGHTING
- BARN/SHOP LIGHTING
- OUTDOOR POST TOP LANTERNS
- HIGH BAY LIGHTING
- STREET LIGHTING
- WALL PACK LIGHTING



THE COOLEST LED CORNBULBS



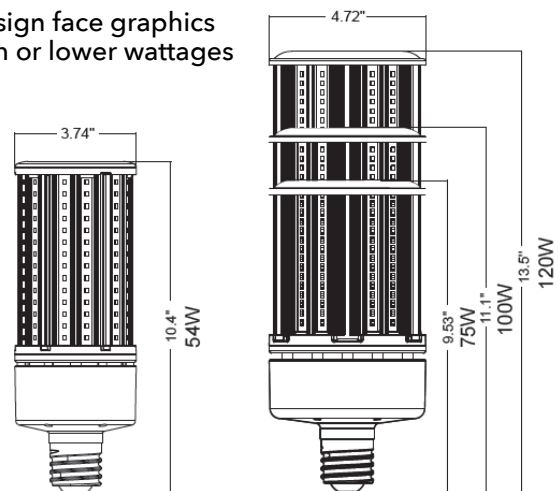
France TruBrite LED Cornbulbs are built with a stainless cooling system to produce an extended LED life. Our TruSurge method protects your LED lighting source by controlling load surges up to 10KV. The result is a cooler LED cornbulb lineup (54W, 75W, 100W, and 120W). For more details on each of these features and more click this link: [PRODUCT COMPARISON CHART](#).

CORNBULB COMPARISON CHART

TRUBRITE GEN II - 5000K CORNBULBS

PART NUMBER	CORNBULB MODEL	WATTAGE	RATED CURRENT	HID EQUIVALENT	CFL EQUIVALENT	LUMEN OUTPUT	# OF LEDS	MOGUL CONNECTION	UNIT WEIGHT
19685-02	MGLED - 54W	54W	0.54A	175W - 200W	105W	7020 lm	195 pcs	E39	2.64 lbs
198686-02	MGLED - 75W	75W	0.75A	200W - 250W	150W	9750 lm	234 pcs	E39	3.17 lbs
19687-02	MGLED - 100W	100W	1.0A	250W - 320W	200W	13000 lm	416 pcs	E39	3.96 lbs
19688-02	MGLED - 120W	120W	1.2A	320W - 400W	250W	15600 lm	507 pcs	E39	4.40 lbs

Note: Standard recommendations. Optimal lamp wattages may vary with sign face graphics and opacity. Some applications may require multiple wattages and/or high or lower wattages to generate optimal light coverage.



OUTPUT	INPUT	FCC COMPLIANCE	OPERATING TEMPERATURE
OMNIDIRECTIONAL, 130 LM/W, ≥80 CRI, 4000K/5000K CCT, NON-DIMMABLE	100-277 VAC, 50/60HZ	FCC 47CFR 15 SUBPART B	DRY OR DAMP -40°F TO 140°F (-40°C TO 60°C) CAN BE FULLY ENCLOSED - IP64



FRANCE TRUBRITE CORNBULBS & SIGN KIT NAVIGATION

LED CORNBULBS | SIGN KITS | COMPARISON CHART

FranceLighting.com - 800.793.4793 - 2268 Fairview Blvd., Fairview, TN 37062

CORE APPLICATIONS:

- LARGE CABINET SIGN LIGHTING
- BARN/SHOP LIGHTING
- OUTDOOR POST TOP LANTERNS
- HIGH BAY LIGHTING
- STREET LIGHTING
- WALL PACK LIGHTING

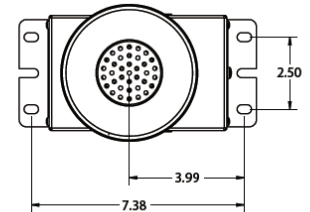
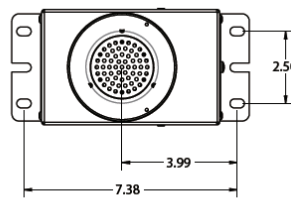


THE ALL-IN-ONE ENERGY SAVING KIT



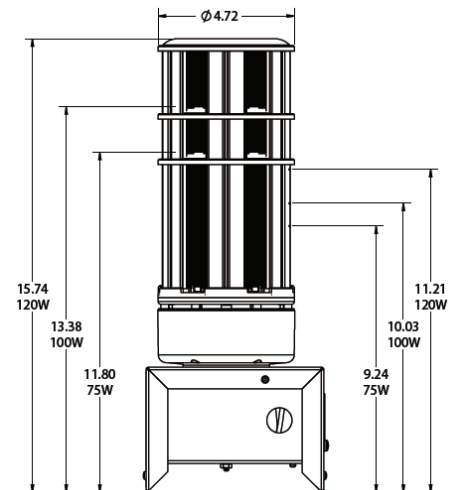
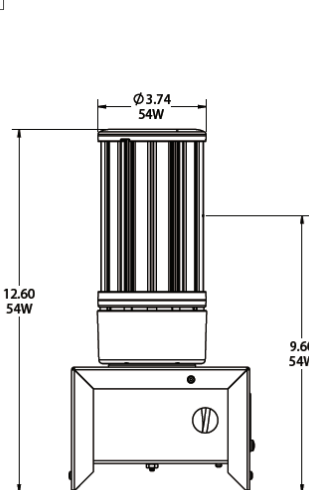
France TruBrite Sign Kits are built with superior thermal characteristics. Our unique aluminum heatsink results in best-in-class operating temperatures, ensuring a long LED life even in high ambient temperatures and fully enclosed applications. For more details on each of these features and more click this link: [PRODUCT COMPARISON CHART](#).

PART NUMBER	CORNBULB MODEL	WATTAGE	HID EQUIVALENT
19438-02	LEDSB -54W	54W	175W - 200W
19439-02	LEDSB -75W	75W	200W - 250W
19440-02	LEDSB -100W	100W	250W - 320W
19441-02	LEDSB -120W	120W	320W - 400W



Note: Standard recommendations. Optimal lamp wattages may vary with sign face graphics and opacity. Some applications may require multiple wattages and/or high or lower wattages to generate optimal light coverage.

Up to 80% direct energy savings compared to HID, due to efficiency and cool operation.



For **CUSTOM LAYOUT** requests, please contact us at support@sfeg.com or 800.793.4793 for additional assistance determining the optimal MoguLED solution for your application.

CORNBULB / SIGN KIT APPLICATIONS CHART

CORNBULB MODEL	TRUBRITE CORNBULBS	ULTRA DEEP DOUBLE SIDED MIN. OF 28" DEEP	ULTRA DEEP DOUBLE SIDED MIN. OF 30" DEEP	ULTRA DEEP DOUBLE SIDED MIN. OF 33" DEEP	ULTRA DEEP DOUBLE SIDED MIN. OF 36" DEEP
MGLED - 54W	54W	😊	😐	😞	😞
MGLED - 75W	75W	😞	😊	😐	😞
MGLED - 100W	100W	😞	😞	😊	😐
MGLED - 120W	120W	😞	😞	😞	😊

😊 YES 😞 NO 😐 NOT OPTIMAL - REQUIRES ADJUSTMENTS AND/OR GUIDANCE FROM FRANCE

CORNBULB COMPARISON CHART

TRUBRITE GEN II - 5000K CORNBULBS

CORNBULB MODEL	WATTAGE	RATED CURRENT	HID EQUIVALENT	CFL EQUIVALENT	LUMEN OUTPUT	# OF LEDS	MOGUL CONNECTION	WEIGHT
MGLED - 54W	54W	0.54A	175W - 200W	105W	7020 lm	195 pcs	E39	2.64 lbs
MGLED - 75W	75W	0.75A	200W - 250W	150W	9750 lm	234 pcs	E39	3.17 lbs
MGLED - 100W	100W	1.0A	250W - 320W	200W	13000 lm	416 pcs	E39	3.96 lbs
MGLED - 120W	120W	1.2A	320W - 400W	250W	15600 lm	507 pcs	E39	4.40 lbs

CORNBULBS INSTALLATION GUIDE

TRUBRITE CORNBULB / SIGN KITS GUIDE > DOUBLE SIDED

CORNBULB / SIGN KIT WATTAGE	54W	75W	100W	120W
RECOMMENDED CABINET DEPTH	28"	30"	33"	36"
RECOMMENDED LAMP TO LAMP SPACING	30"	36"	42"	48"
# OF LAMPS IN A 12FT. X 12FT. CABINET	23	16	12	9



CHECK OUT OUR



FRANCE TRUBRITE CORNBULBS & SIGN KIT NAVIGATION

LED CORNBULBS | SIGN KITS | COMPARISON CHART