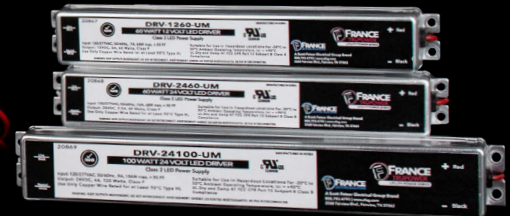



LOAD 85%
 2 DIMMABLE MODELS
 0-10 DIMMABLE

LOAD 100%
 NO DEGRADING

LOAD 80%
 MORE POWER
 IN LESS SPACE

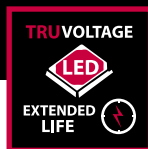
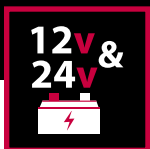


MOST RELIABLE POWER SUPPLIES IN THE SIGN INDUSTRY

LOWER SYSTEM COST
 LOAD MORE MODULES
 PER POWER SUPPLY

TRUMATCH WARRANTY
 7P / 7L WITH ATLAS & ECONO
 5P / 5L WITH NEW UTILITY LINE

POWER YOUR WAY
 RIGHT AMOUNT OF POWER
 FOR YOUR APPLICATION



ASK YOUR DISTRIBUTOR OR OUR REPRESENTATIVE FOR MORE INFORMATION



FranceLEDProducts.com
 2268 Fairview Blvd.
 Fairview, TN 37062
 sales@sfeg.com
 800.793.4793



EMAIL: SALES@KORVISUALGROUP.COM | PHONE: (615)-900-0966

U.S. & CANADA REPRESENTATIVES

SCOTT CUTCHER
 Central & Eastern U. S. | Eastern Canada

CALVIN ROLLYSON
 Western U. S. | Western Canada

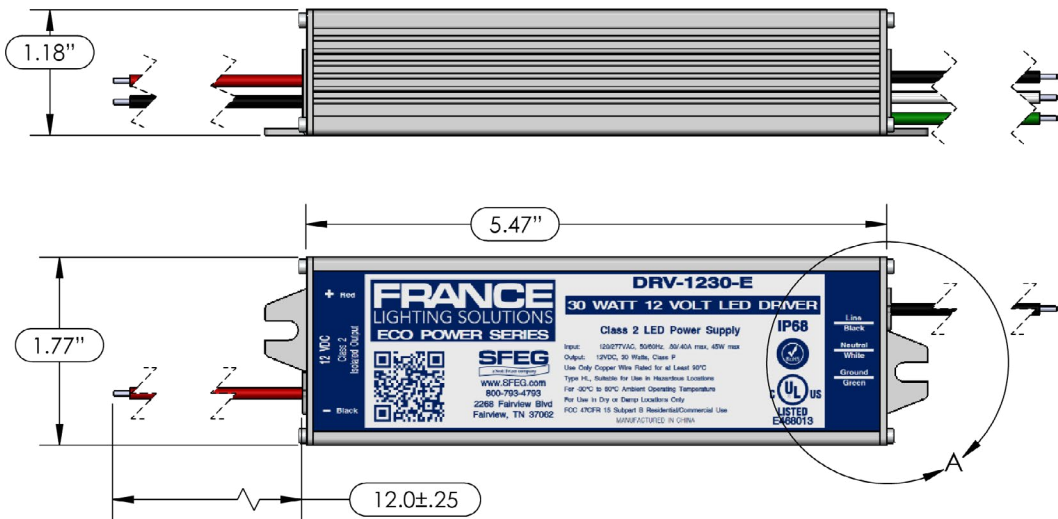


PRO-LEVEL PERFORMANCE AT AN ENTRY LEVEL VALUE

120-277 VAC	TRULOAD OVERLOAD PROTECTION	TRUVOLTAGE LED EXTENDED LIFE	TRUCURRENT SPIKE PROTECTION	TRUCURRENT SHORT PROTECTION	TRUCOOL HIGH EFFICIENCY	UL LISTED CLASS 2 CLASS P	WARRANTY 7 ^P /7 ^L & 5 ^P /5 ^L
--------------------	---------------------------------------	---	---------------------------------------	---------------------------------------	-----------------------------------	--	---

France TruPower Power Supplies are built with integrated LED technology to produce the best power supply in the sign industry. Our TruBuild method protects your LED lighting source by controlling current, voltage and heat through tight circuitry integration. The result is a power supply that provides TruLoads, TruVoltage, TruCurrent, and TruCooling. For more details on each of these features and more click this link: [Product Series Comparison Chart](#).

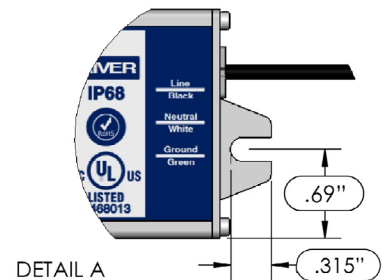
PART #	MODEL	OUTPUT	INPUT	OPERATING TEMPERATURE	UL LISTINGS	INSTALL ENVIRONMENT	WIRE LEADS	WEIGHT EACH	PACKAGING
19368	DRV-1230-E	12VDC, 30 Watt 2.5 Amp, Class 2 No Min. Loading Required	120-277VAC 50/60Hz .80 / .40 Amp Max	-30°C to 60°C -22°F to 140°F	CLASS 2 CLASS P	DRY / DAMP	10"	1 lbs.	30 / CARTON



IDEAL FOR ENCLOSED APPLICATIONS

- CHANNEL LETTERS
- RACEWAYS / CABINETS
- FRANCE FAST PAKS. ETC.

**LOAD 100%
NO DEGRADING**



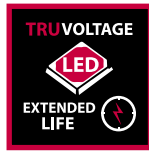


E {ECONO} SERIES - 60W



DRV-1260-E

PRO-LEVEL PERFORMANCE AT AN ENTRY LEVEL VALUE



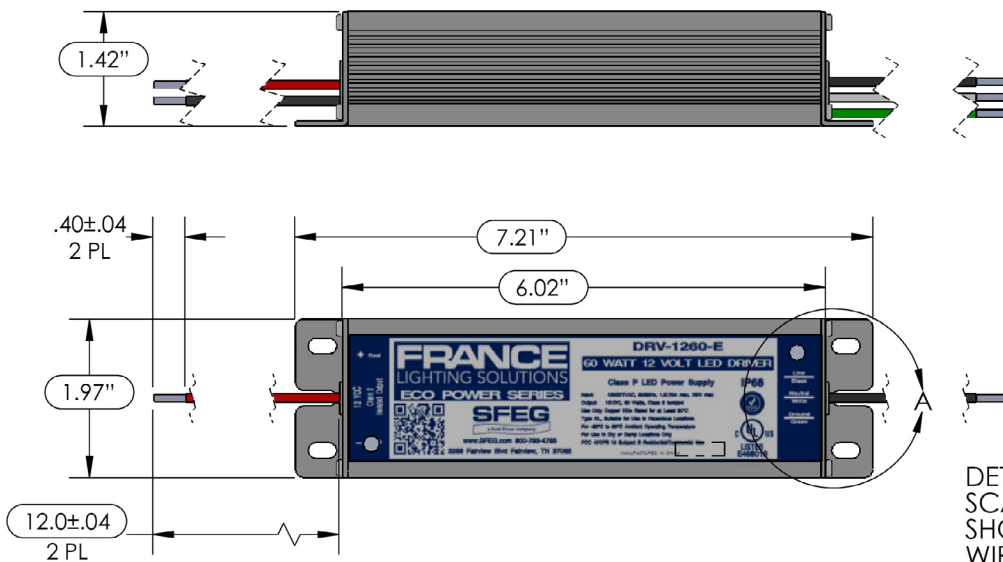
France TruPower Power Supplies are built with integrated technology to produce the best power supply in the sign industry. Our TruBuild method protects your LED lighting source by controlling current, voltage and heat through tight circuitry integration. The result is a power supply that provides TruLoads, TruVoltage, TruCurrent, and TruCooling. For more details on each of these features and more click this link: [Product Series Comparison Chart](#).

PART #	MODEL	OUTPUT	INPUT	OPERATING TEMPERATURE	UL LISTINGS	INSTALL ENVIRONMENT	WIRE LEADS	WEIGHT EACH	PACKAGING
19370	DRV-1260-E	12VDC, 60 Watt 5 Amp, Class 2 No Min. Loading Required	120-277VAC 50/60Hz 1.2 / .70 Amp Max	-30°C to 60°C -22°F to 140°F	CLASS 2 CLASS P	DRY / DAMP	10"	2 lbs.	20 / CARTON

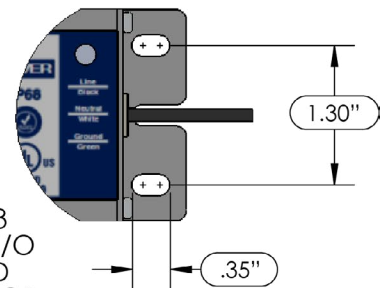
IDEAL FOR ENCLOSED APPLICATIONS

- CHANNEL LETTERS
- RACEWAYS / CABINETS
- FRANCE FAST PAKS. ETC.

LOAD 100% NO DEGRADING



DETAIL A
SCALE 2 : 3
SHOWN W/O
WIRES AND
CONNECTOR

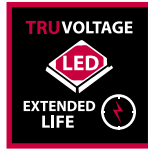


FRANCE TRUPOWER POWER SUPPLIES NAVIGATION

12v30w E | 12v60w E | 12v120w E | 12v60w A | 12v120w A | 12v60w U | 12v60w D | 12v60w UM
24v30w E | 24v60w E | 24v100w E | 24v60w A | 24v100w D | 24v60w UM | 24v100w UM

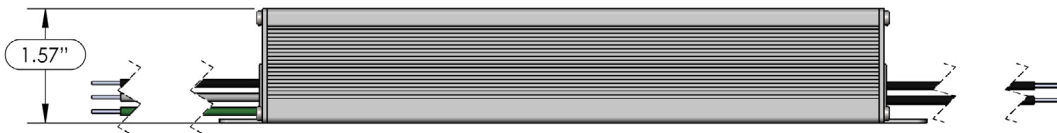


PRO-LEVEL PERFORMANCE AT AN ENTRY LEVEL VALUE



France TruPower Power Supplies are built with integrated technology to produce the best power supply in the sign industry. Our **TruBuild** method protects your LED lighting source by controlling current, voltage and heat through tight circuitry integration. The result is a power supply that provides **TruLoads**, **TruVoltage**, **TruCurrent**, and **TruCooling**. For more details on each of these features and more click this link: [Product Series Comparison Chart](#).

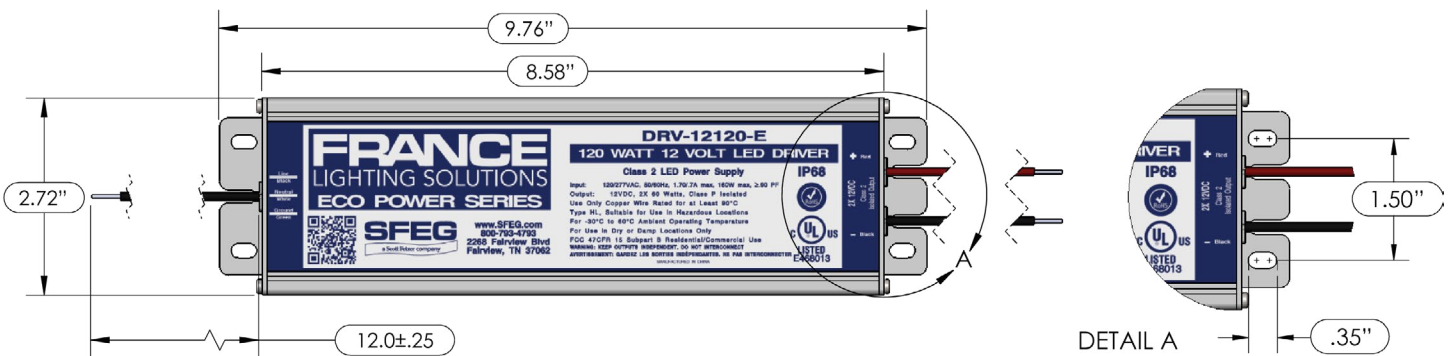
PART #	MODEL	OUTPUT	INPUT	OPERATING TEMPERATURE	UL LISTINGS	INSTALL ENVIRONMENT	WIRE LEADS	WEIGHT EACH	PACKAGING
19376	DRV-12120-E	12VDC, 2 X 60 Watt 2 x 5 Amp, Class 2 No Min. Loading Required	120-277VAC 50/60Hz 1.7 / .70 Amp Max	-30°C to 60°C -22°F to 140°F	CLASS 2 CLASS P	DRY / DAMP	10"	2.9 lbs.	8 / CARTON



IDEAL FOR ENCLOSED APPLICATIONS

- CHANNEL LETTERS
- RACEWAYS / CABINETS
- FRANCE FAST PAKS, ETC.

**LOAD 100%
NO DEGRADING**



A {ATLAS} SERIES - 60W



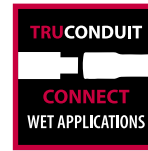
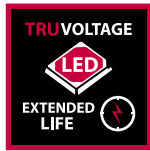
12V
DRV-1260-A



120-277 VAC



BUILT TO WEATHER THE MOST CHALLENGING INSTALLS

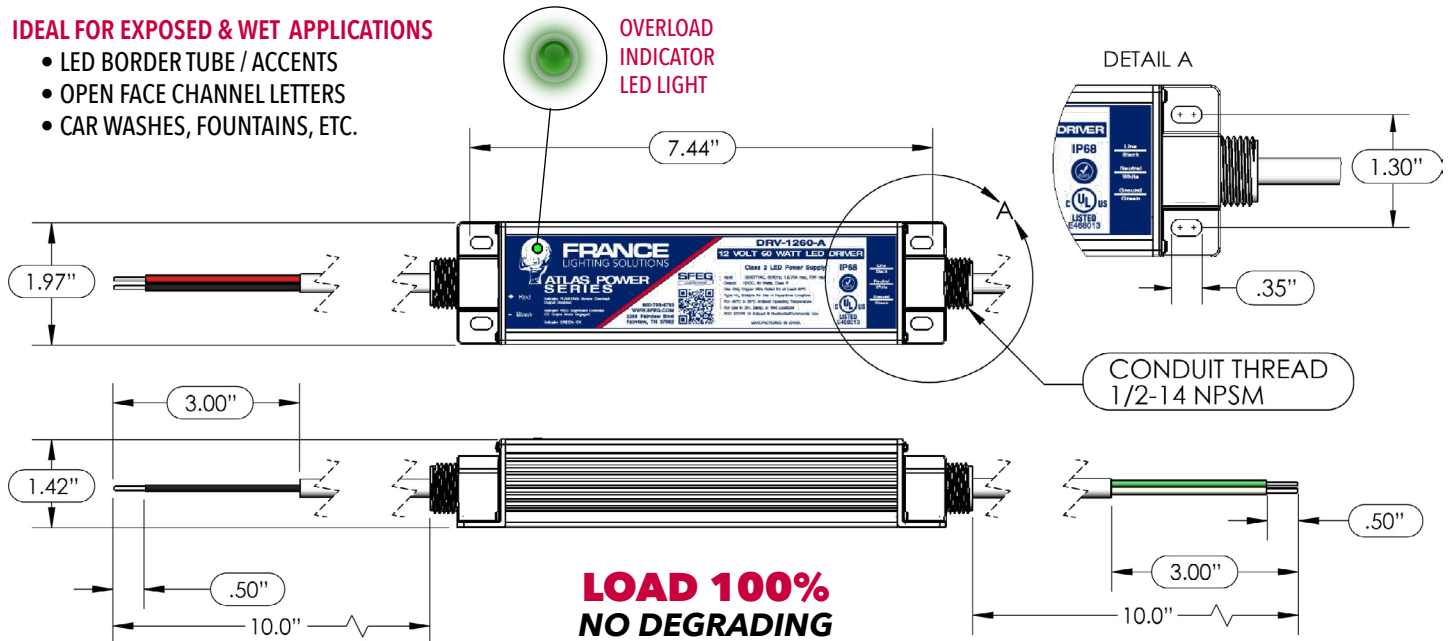


France TruPower Power Supplies are built with integrated technology to produce the best power supply in the sign industry. Our **TruBuild** method protects your LED lighting source by controlling current, voltage and heat through tight circuitry integration. The result is a power supply that provides **TruLoads**, **TruVoltage**, **TruCurrent**, and **TruCooling**. For more details on each of these features and more click this link: [Product Series Comparison Chart](#).

PART #	MODEL	OUTPUT	INPUT	OPERATING TEMPERATURE	UL LISTINGS	INSTALL ENVIRONMENT	WIRE LEADS	WEIGHT EACH	PACKAGING
19371	DRV-1260-A	12VDC, 60 Watt 5 Amp, Class 2 No Min. Loading Required	120-277VAC 50/60Hz 1.2 / .70 Amp Max	-30°C to 60°C -22°F to 140°F	CLASS 2 CLASS P	DRY / DAMP	10"	2 lbs.	20 / CARTON

IDEAL FOR EXPOSED & WET APPLICATIONS

- LED BORDER TUBE / ACCENTS
- OPEN FACE CHANNEL LETTERS
- CAR WASHES, FOUNTAINS, ETC.



FRANCE TRUPOWER POWER SUPPLIES NAVIGATION

12v30w E | 12v60w E | 12v120w E | 12v60w A | 12v120w A | 12v60w U | 12v60w D | 12v60w UM
24v30w E | 24v60w E | 24v100w E | 24v60w A | 24v100w D | 24v60w UM | 24v100w UM

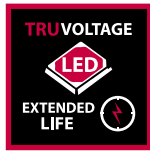
A {ATLAS} SERIES - 120W



12V
DRV-12120-A



BUILT TO WEATHER THE MOST CHALLENGING INSTALLS

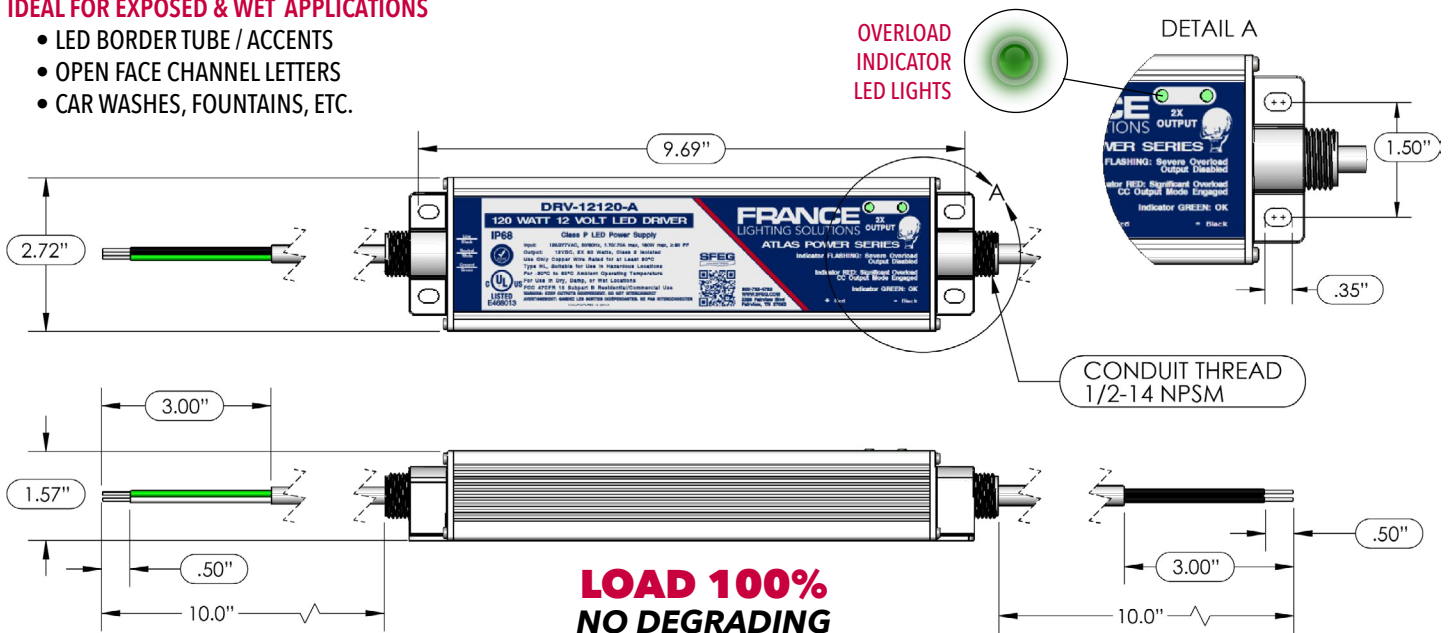


France TruPower Power Supplies are built with integrated technology to produce the best power supply in the sign industry. Our **TruBuild** method protects your LED lighting source by controlling current, voltage and heat through tight circuitry integration. The result is a power supply that provides **TruLoads**, **TruVoltage**, **TruCurrent**, and **TruCooling**. For more details on each of these features and more click this link: [Product Series Comparison Chart](#).

PART #	MODEL	OUTPUT	INPUT	OPERATING TEMPERATURE	UL LISTINGS	INSTALL ENVIRONMENT	WIRE LEADS	WEIGHT EACH	PACKAGING
19377	DRV-12120-A	12VDC, 2 X 60 Watt 2 x 5 Amp, Class 2 No Min. Loading Required	120-277VAC 50/60Hz 1.7 / .70 Amp Max	-30°C to 60°C -22°F to 140°F	CLASS 2 CLASS P	DRY / DAMP	10"	2.9 lbs.	8 / CARTON

IDEAL FOR EXPOSED & WET APPLICATIONS

- LED BORDER TUBE / ACCENTS
- OPEN FACE CHANNEL LETTERS
- CAR WASHES, FOUNTAINS, ETC.



FRANCE TRUPOWER POWER SUPPLIES NAVIGATION

12v30w E | 12v60w E | 12v120w E | 12v60w A | 12v120w A | 12v60w U | 12v60w D | 12v60w UM
24v30w E | 24v60w E | 24v100w E | 24v60w A | 24v100w D | 24v60w UM | 24v100w UM



U {UTILITY} SERIES -60W



DRV-1260-U



THE RIGHT AMOUNT OF POWER FOR YOUR APPLICATION

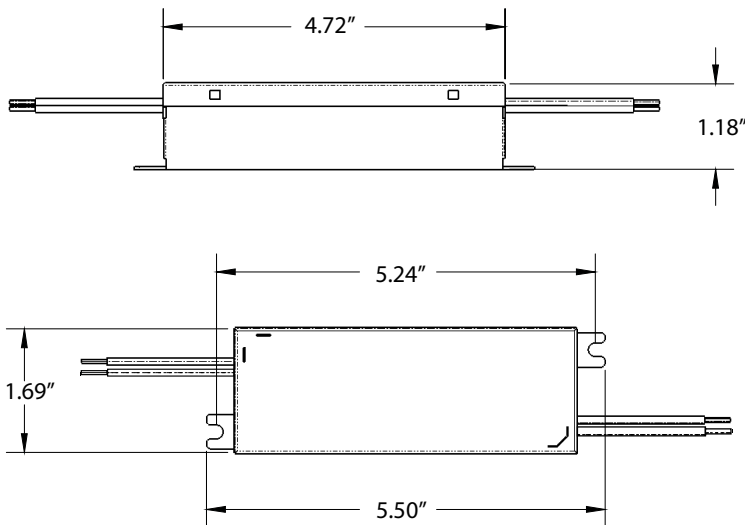


France **NEW TruPower Utility Drivers** are built for specific uses according to the demand of your project or market. When your application doesn't need a 100% loadable workhorse or it requires the ability to dim your lighting, that's when our utility drivers shine. Built on our backbone of quality, these new drivers provide more power options putting you in control of the build. All from a brand you can depend on . . . France Lighting Solutions. For more details on each of these drivers and their features, click this link: [Product Series Comparison Chart](#).

PART #	MODEL	OUTPUT	INPUT	OPERATING TEMPERATURE	UL LISTINGS	INSTALL ENVIRONMENT	WIRE LEADS	WEIGHT EACH	PACKAGING
20704	DRV-1260-U	12VDC, 60 Watt Class 2, Class P No Min. Loading Required Maximum Load 85%	120-277VAC 50/60Hz 1.2 / .70 Amp Max	-40°C to 55°C -40°F to 131°F	CLASS 2 CLASS P	DRY / DAMP	12"	0.99 lbs.	10 / CARTON

IDEAL FOR ENCLOSED APPLICATIONS

- CHANNEL LETTERS (SPACE IS LIMITED/ OR DIMMABLE IS NEEDED)
- RACEWAYS / CABINETS (SPACE IS LIMITED/ OR DIMMABLE IS NEEDED)



LOAD 85%
85 TruLume Duos
on 1 Power Supply
in a smaller footprint



FRANCE TRUPOWER POWER SUPPLIES NAVIGATION

12v30w E | 12v60w E | 12v120w E | 12v60w A | 12v120w A | 12v60w U | 12v60w D | 12v60w UM
24v30w E | 24v60w E | 24v100w E | 24v60w A | 24v100w D | 24v60w UM | 24v100w UM



DRV-1260-D



THE RIGHT AMOUNT OF POWER FOR YOUR APPLICATION

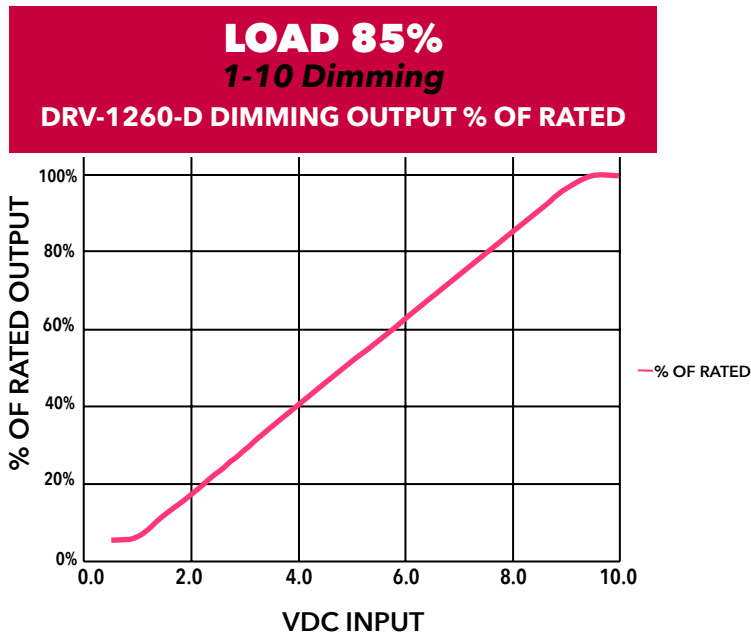
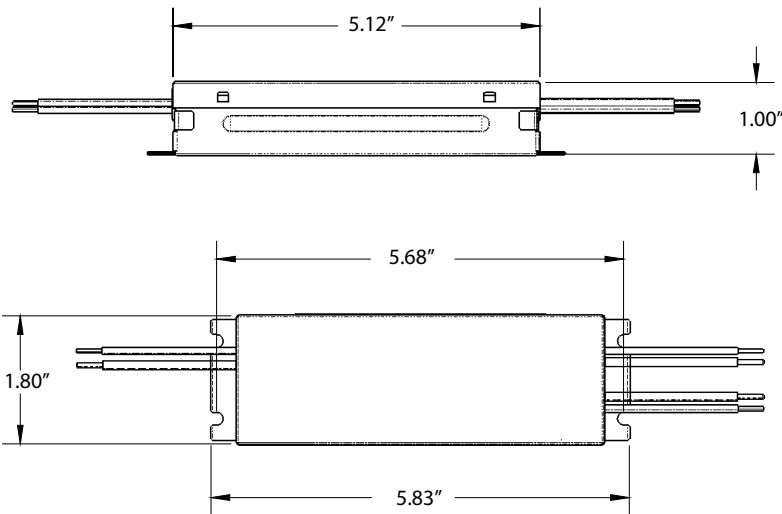


France NEW TruPower Utility Drivers are built for specific uses according to the demand of your project or market. When your application doesn't need a 100% loadable workhorse or it requires the ability to dim your lighting, that's when our utility drivers shine. Built on our backbone of quality, these new drivers provide more power options putting you in control of the build. All from a brand you can depend on . . . France Lighting Solutions. For more details on each of these drivers and their features, click this link: [Product Series Comparison Chart](#).

PART #	MODEL	OUTPUT	INPUT	OPERATING TEMPERATURE	UL LISTINGS	INSTALL ENVIRONMENT	WIRE LEADS	WEIGHT EACH	PACKAGING
20705	DRV-1260-D	Dimmable, 12VDC, 60 Watt Class 2, Class P No Min. Loading Required Maximum Load 85%	120-277VAC 50/60Hz .60 Amp Max	-40°C to 55°C -40°F to 131°F	CLASS 2 CLASS P	DRY / DAMP	12"	0.88 lbs.	20 / CARTON

IDEAL FOR ENCLOSED APPLICATIONS

- CHANNEL LETTERS (SPACE IS LIMITED/ OR DIMMABLE IS NEEDED)
- RACEWAYS / CABINETS (SPACE IS LIMITED/ OR DIMMABLE IS NEEDED)



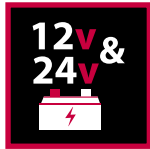


UM {UTILITY SLIM} SERIES -60W



DRV-1260-UM

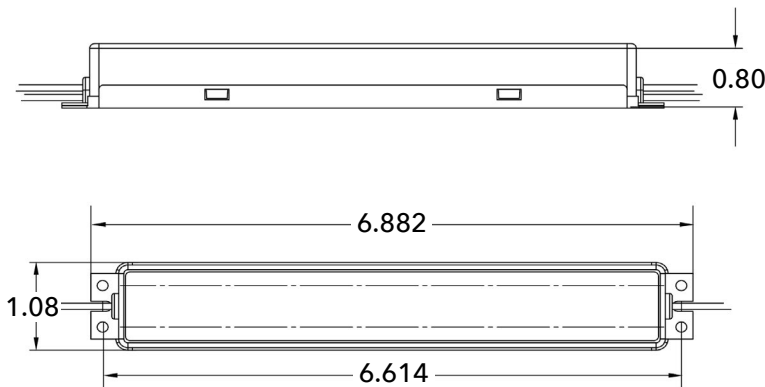
YOUR LEAN POWERHOUSE LINEUP



France **NEW TruPower Utility SLIM Drivers** are built for specific uses according to the demand of your project or market. When your application doesn't need a 100% loadable workhorse or it requires space saving, that's when our utility lean drivers shine. Built on our backbone of quality, these new drivers provide more power options putting you in control of the build. All from a brand you can depend on . . . France Lighting Solutions. For more details on each of these drivers and their features click this link: [Product Series Comparison Chart](#).

PART #	MODEL	OUTPUT	INPUT	OPERATING TEMPERATURE	UL LISTINGS	INSTALL ENVIRONMENT	WIRE LEADS	WEIGHT EACH	PACKAGING
20867	DRV-1260-UM	12VDC, 60 Watt Class 2, Class P No Min. Loading Required Maximum Load 80%	120-277VAC 50/60Hz .90 Amp Max	-30°C to 50°C -22°F to 122°F	CLASS 2 CLASS P	IP66	7.87"	0.37 lbs.	100 / CARTON

IDEAL FOR ENCLOSED APPLICATIONS
CHANNEL LETTERS | CABINETS | BLADE SIGNS | EDGELIT | LIMITED SPACE APPLICATIONS



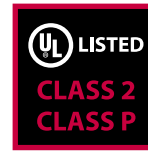
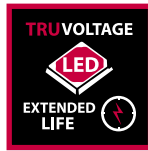
FRANCE TRUPOWER POWER SUPPLIES NAVIGATION

12v30w E | 12v60w E | 12v120w E | 12v60w A | 12v120w A | 12v60w U | 12v60w D | 12v60w UM
24v30w E | 24v60w E | 24v100w E | 24v60w A | 24v100w D | 24v60w UM | 24v100w UM



DRV-2430-E

PRO-LEVEL PERFORMANCE AT AN ENTRY LEVEL VALUE



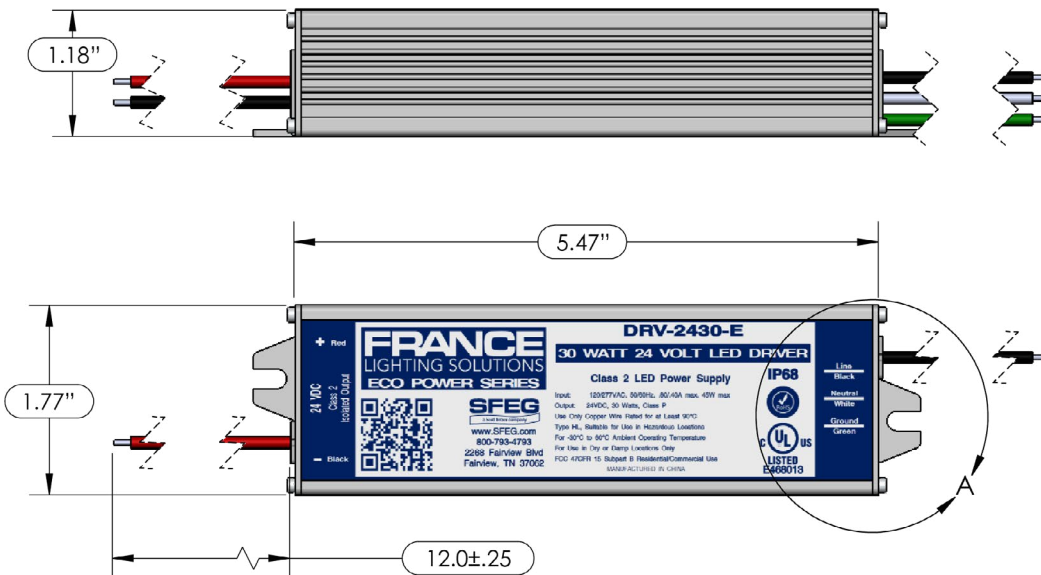
France TruPower Power Supplies are built with integrated technology to produce the best power supply in the sign industry. Our **TruBuild** method protects your LED lighting source by controlling current, voltage and heat through tight circuitry integration. The result is a power supply that provides **TruLoads**, **TruVoltage**, **TruCurrent**, and **TruCooling**. For more details on each of these features and more click this link: [Product Series Comparison Chart](#).

PART #	MODEL	OUTPUT	INPUT	OPERATING TEMPERATURE	UL LISTINGS	INSTALL ENVIRONMENT	WIRE LEADS	WEIGHT EACH	PACKAGING
19369	DRV-2430-E	24VDC, 30 Watt 1.25 AMP, Class 2 No Min. Loading Required	120-277VAC 50/60Hz .80 / .40 Amp Max	-30°C to 60°C -22°F to 140°F	CLASS 2 CLASS P	DRY / DAMP	10"	1 lbs.	30 / CARTON

IDEAL FOR ENCLOSED APPLICATIONS

- CHANNEL LETTERS
- RACEWAYS / CABINETS
- FRANCE FAST PAKS, ETC.

**LOAD 100%
NO DEGRADING**



DETAIL A

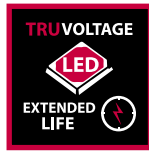


E {ECONO} SERIES - 60W



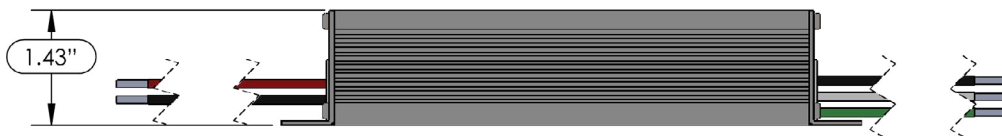
DRV-2460-E

PRO-LEVEL PERFORMANCE AT AN ENTRY LEVEL VALUE



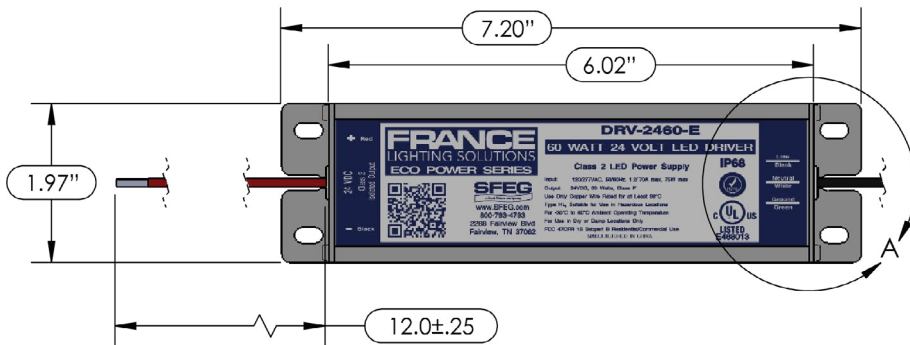
France TruPower Power Supplies are built with integrated technology to produce the best power supply in the sign industry. Our TruBuild method protects your LED lighting source by controlling current, voltage and heat through tight circuitry integration. The result is a power supply that provides TruLoads, TruVoltage, TruCurrent, and TruCooling. For more details on each of these features and more click this link: [Product Series Comparison Chart](#).

PART #	MODEL	OUTPUT	INPUT	OPERATING TEMPERATURE	UL LISTINGS	INSTALL ENVIRONMENT	WIRE LEADS	WEIGHT EACH	PACKAGING
19372	DRV-2460-E	24VDC, 60 Watt 2.5 AMP, Class 2 No Min. Loading Required	120-277VAC 50/60Hz 1.2 / .70 Amp Max	-30°C to 60°C -22°F to 140°F	CLASS 2 CLASS P	DRY / DAMP	10"	2 lbs.	20 / CARTON

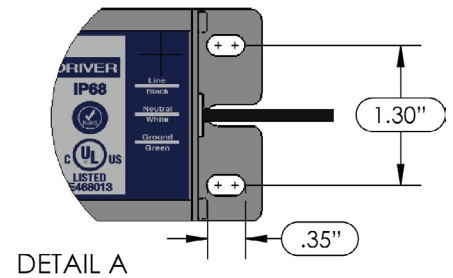


IDEAL FOR ENCLOSED APPLICATIONS

- CHANNEL LETTERS
- RACEWAYS / CABINETS
- FRANCE FAST PAKS, ETC.



**LOAD 100%
NO DEGRADING**



FRANCE TRUPOWER POWER SUPPLIES NAVIGATION

12v30w E | 12v60w E | 12v120w E | 12v60w A | 12v120w A | 12v60w U | 12v60w D | 12v60w UM
24v30w E | 24v60w E | 24v100w E | 24v60w A | 24v100w D | 24v60w UM | 24v100w UM

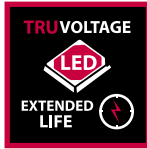


E {ECONO} SERIES - 100W



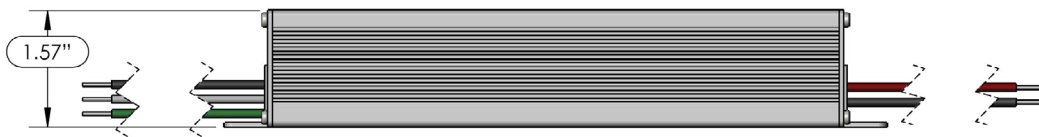
24V
DRV-24100-E

PRO-LEVEL PERFORMANCE AT AN ENTRY LEVEL VALUE



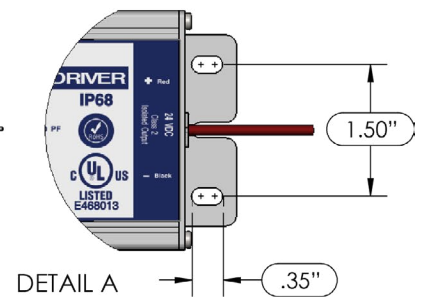
France TruPower Power Supplies are built with integrated technology to produce the best power supply in the sign industry. Our TruBuild method protects your LED lighting source by controlling current, voltage and heat through tight circuitry integration. The result is a power supply that provides TruLoads, TruVoltage, TruCurrent, and TruCooling. For more details on each of these features and more click this link: [Product Series Comparison Chart](#).

PART #	MODEL	OUTPUT	INPUT	OPERATING TEMPERATURE	UL LISTINGS	INSTALL ENVIRONMENT	WIRE LEADS	WEIGHT EACH	PACKAGING
19374	DRV-24100-E	24VDC, 96 Watt 4 AMP, Class 2 No Min. Loading Required	120-277VAC 50/60Hz 1.2 / .60 Amp Max	-30°C to 60°C -22°F to 140°F	CLASS 2 CLASS P	DRY / DAMP	10"	2.5 lbs.	10 / CARTON



- IDEAL FOR ENCLOSED APPLICATIONS**
- CHANNEL LETTERS
 - RACEWAYS / CABINETS
 - FRANCE FAST PAKS, ETC.

**LOAD 100%
NO DEGRADING**



FRANCE TRUPOWER POWER SUPPLIES NAVIGATION

- 12v30w E | 12v60w E | 12v120w E | 12v60w A | 12v120w A | 12v60w U | 12v60w D | 12v60w UM
24v30w E | 24v60w E | 24v100w E | 24v60w A | 24v100w D | 24v60w UM | 24v100w UM

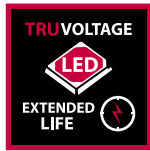
A {ATLAS} SERIES - 60W



24V
DRV-2460-A



BUILT TO WEATHER THE MOST CHALLENGING INSTALLS

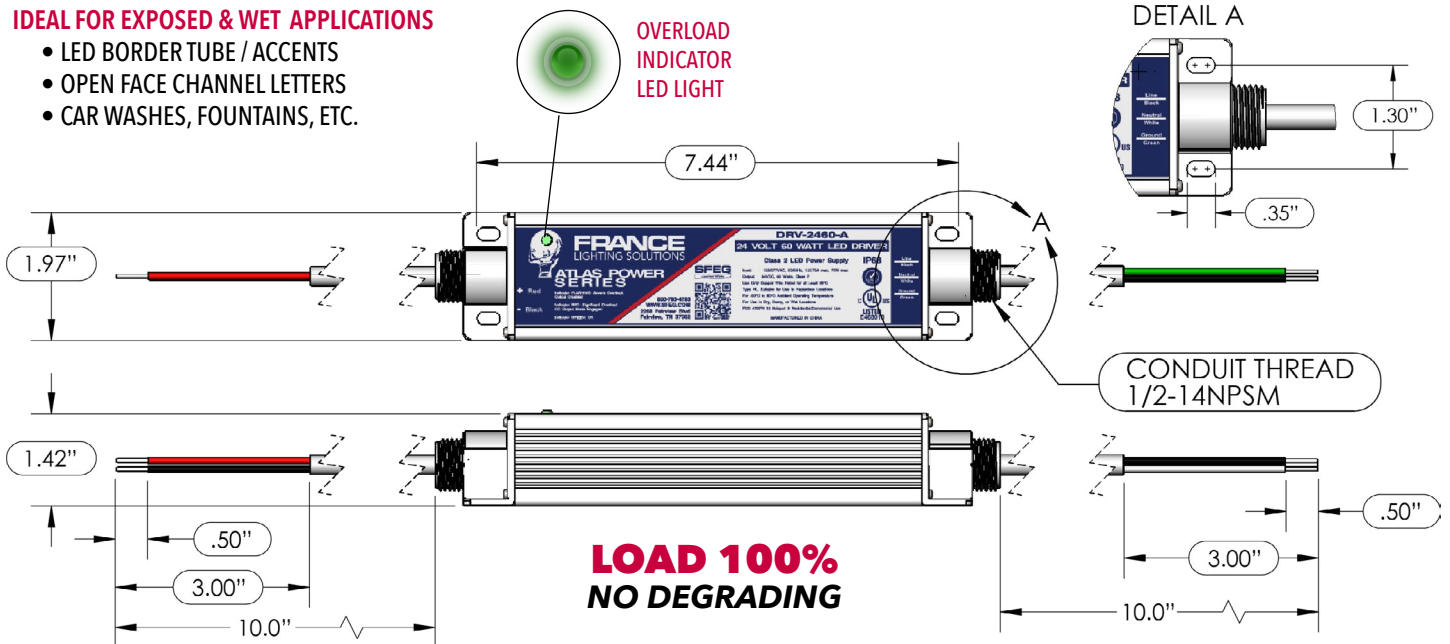


France TruPower Power Supplies are built with integrated technology to produce the best power supply in the sign industry. Our TruBuild method protects your LED lighting source by controlling current, voltage and heat through tight circuitry integration. The result is a power supply that provides TruLoads, TruVoltage, TruCurrent, and TruCooling. For more details on each of these features and more click this link: [Product Series Comparison Chart](#).

PART #	MODEL	OUTPUT	INPUT	OPERATING TEMPERATURE	UL LISTINGS	INSTALL ENVIRONMENT	WIRE LEADS	WEIGHT EACH	PACKAGING
19373	DRV-2460-A	24VDC, 60 Watt 2.5 AMP, Class 2 No Min. Loading Required	120-277VAC 50/60Hz 1.2 / .70 Amp Max	-30°C to 60°C -22°F to 140°F	CLASS 2 CLASS P	DRY / DAMP	10"	2 lbs.	20 / CARTON

IDEAL FOR EXPOSED & WET APPLICATIONS

- LED BORDER TUBE / ACCENTS
- OPEN FACE CHANNEL LETTERS
- CAR WASHES, FOUNTAINS, ETC.



FRANCE TRUPOWER POWER SUPPLIES NAVIGATION

12v30w E | 12v60w E | 12v120w E | 12v60w A | 12v120w A | 12v60w U | 12v60w D | 12v60w UM
24v30w E | 24v60w E | 24v100w E | 24v60w A | 24v100w D | 24v60w UM | 24v100w UM



U {UTILITY} SERIES -100W



DRV-24100-D

THE RIGHT AMOUNT OF POWER FOR YOUR APPLICATION

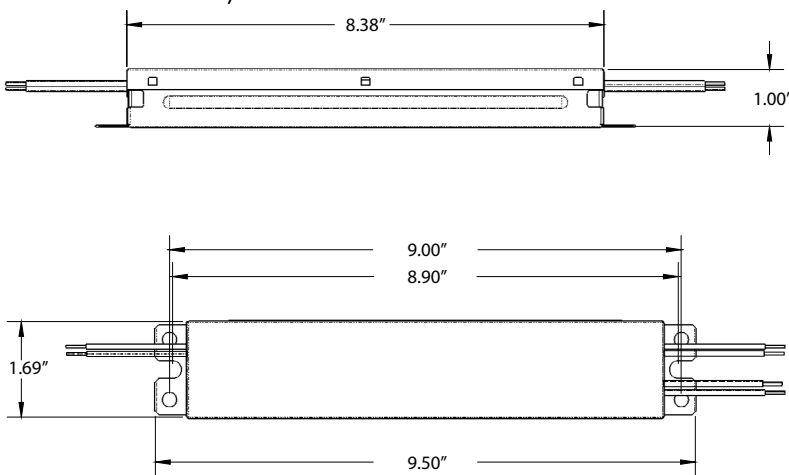


France **NEW TruPower Utility Drivers** are built for specific uses according to the demand of your project or market. When your application doesn't need a 100% loadable workhorse or it requires the ability to dim your lighting, that's when our utility drivers shine. Built on the our backbone of quality, these new drivers provide more power options putting you in control of the build. All from a brand you can depend on . . . France Lighting Solutions. For more details on each of these drivers and their features, click this link: [Product Series Comparison Chart](#).

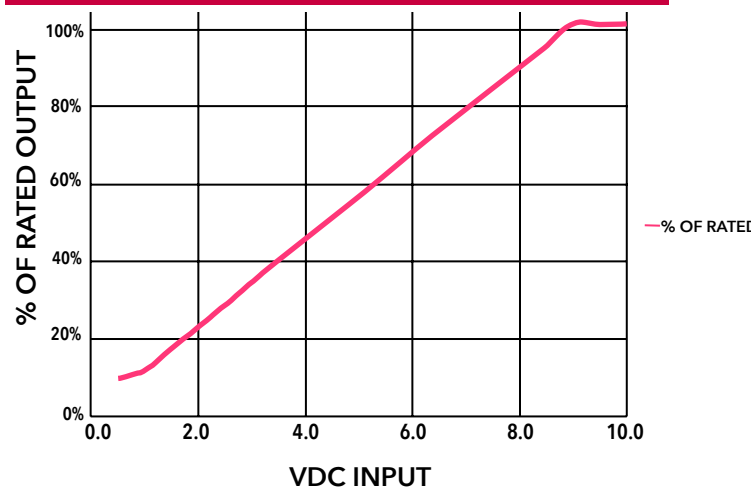
PART #	MODEL	OUTPUT	INPUT	OPERATING TEMPERATURE	UL LISTINGS	INSTALL ENVIRONMENT	WIRE LEADS	WEIGHT EACH	PACKAGING
20706	DRV-24100-D	Dimmable, 24VDC, 100 Watt Class 2, Class P No Min. Loading Required Maximum Load 80%	120-277VAC 50/60Hz .95 Amp Max	-40°C to 55°C -40°F to 131°F	CLASS 2 CLASS P	DRY / DAMP	12"	1.29 lbs.	10 / CARTON

IDEAL FOR ENCLOSED APPLICATIONS

- CHANNEL LETTERS (SPACE IS LIMITED/ OR DIMMABLE IS NEEDED)
- RACEWAYS / CABINETS (SPACE IS LIMITED/ OR DIMMABLE IS NEEDED)



LOAD 85% 0-10 Dimming DRV-24100-D DIMMING OUTPUT % OF RATED

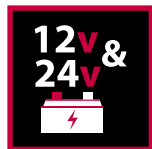


FRANCE TRUPOWER POWER SUPPLIES NAVIGATION

12v30w E | 12v60w E | 12v120w E | 12v60w A | 12v120w A | 12v60w U | 12v60w D | 12v60w UM
 24v30w E | 24v60w E | 24v100w E | 24v60w A | **24v100w D** | 24v60w UM | 24v100w UM



YOUR LEAN POWERHOUSE LINEUP

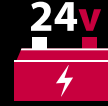


France **NEW** TruPower Utility SLIM Drivers are built for specific uses according to the demand of your project or market. When your application doesn't need a 100% loadable workhorse or it requires space saving, that's when our utility lean drivers shine. Built on our backbone of quality, these new drivers provide more power options putting you in control of the build. All from a brand you can depend on . . . France Lighting Solutions. For more details on each of these drivers and their features click this link: [Product Series Comparison Chart](#).

PART #	MODEL	OUTPUT	INPUT	OPERATING TEMPERATURE	UL LISTINGS	INSTALL ENVIRONMENT	WIRE LEADS	WEIGHT EACH	PACKAGING
20868	DRV-2460-UM	24VDC, 60 Watt Class 2, Class P No Min. Loading Required Maximum Load 80%	120-277VAC 50/60Hz .90 Amp Max	-30°C to 50°C -22°F to 122°F	CLASS 2 CLASS P	IP66	7.87"	0.37 lbs.	100 / CARTON

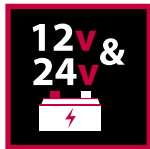
IDEAL FOR ENCLOSED APPLICATIONS
CHANNEL LETTERS | CABINETS | BLADE SIGNS | EDGELIT | LIMITED SPACE APPLICATIONS





DRV-24100-UM

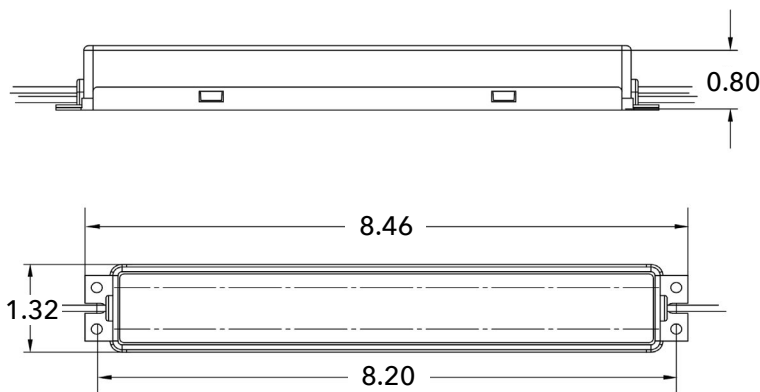
YOUR LEAN POWERHOUSE LINEUP



France **NEW** TruPower Utility **SLIM** Drivers are built for specific uses according to the demand of your project or market. When your application doesn't need a 100% loadable workhorse or it requires space saving, that's when our utility lean drivers shine. Built on our backbone of quality, these new drivers provide more power options putting you in control of the build. All from a brand you can depend on . . . France Lighting Solutions. For more details on each of these drivers and their features click this link: [Product Series Comparison Chart](#).

PART #	MODEL	OUTPUT	INPUT	OPERATING TEMPERATURE	UL LISTINGS	INSTALL ENVIRONMENT	WIRE LEADS	WEIGHT EACH	PACKAGING
20869	DRV-2460-UM	24VDC, 60 Watt Class 2, Class P No Min. Loading Required Maximum Load 80%	120-277VAC 50/60Hz .90 Amp Max	-30°C to 50°C -22°F to 122°F	CLASS 2 CLASS P	IP66	7.87"	0.37 lbs.	100 / CARTON

IDEAL FOR ENCLOSED APPLICATIONS
CHANNEL LETTERS | CABINETS | BLADE SIGNS | EDGELIT | LIMITED SPACE APPLICATIONS



ATLAS & ECONO SERIES COMPARISON CHART



ECONO SERIES

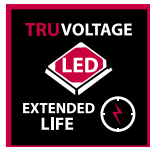


ATLAS SERIES

100% LOADING - NO DEGRADING	YES	YES
120 - 277 VAC INPUT	YES	YES
12V & 24V OUTPUT OPTIONS	YES	YES
UL LISTED - CLASS 2 & CLASS P	YES	YES
RoHS CLASSIFICATION	YES	YES
IP68 - DRY / DAMP	YES	YES
IP68 - WET LISTED	NO	YES
OPERATING TEMPERATURES -30°C to 60°C / -22°F to 140°F	YES	YES
PASSED FRANCE TORTURE TEST (FULL LOAD FOR 90 DAYS @ 185° F)	YES	YES
5P / 5L WARRANTY (WHEN PAIRED WITH 3RD PARTY LEDs)	YES	YES
7P / 7L WARRANTY (WHEN PAIRED WITH FRANCE LEDs)	YES	YES
TRULOAD OVERLOAD PROTECTION	YES	YES w/ LED Indicator
TRUVOLTAGE LED EXTENDED LIFE	YES	YES
TRUCURRENT SPIKE PROTECTION	YES	YES
TRUCURRENT SHORT PROTECTION	YES	YES
TRUCOOL HIGH EFFICIENCY	YES	YES
TRUCONDUIT CONNECT (FOR WET APPLICATIONS I.E. CAR WASHES, ETC.)	NO	YES



Provides overload indication in both power supply series. The Econo Series flashes the connected LEDs signifying an overload while the Atlas has a built-in LED indicator light.



Provides a lower voltage ripple decreasing the regulated heat. Reducing heat prolongs the life of the connected LEDs.



Provides a safeguard against electrical or LED shorts shutting down the driver until the short is removed. Once the short is removed the driver will restore itself.



Provides a safeguard by dimming the connected LEDs during voltage spikes. Once the voltage stabilizes the LEDs are automatically returned to normal brightness.



Provides superior DC current regulations at only 2%. This protects each power supply against thermal throttling in extreme conditions.



Provides specially designed threaded connectors in each end of the power supply to accept wet-rated conduit for wet applications such as car washes.



FRANCE TRUPOWER POWER SUPPLIES NAVIGATION

12v30w E | 12v60w E | 12v120w E | 12v60w A | 12v120w A | 12v60w U | 12v60w D | 12v60w UM
24v30w E | 24v60w E | 24v100w E | 24v60w A | 24v100w D | 24v60w UM | 24v100w UM

UTILITY SERIES COMPARISON CHART



UTILITY SERIES



UTILITY DIMMABLE



UTILITY SLIM

85% LOADING	YES	YES	NO
80% LOADING	NO	NO	YES
120 - 277 VAC INPUT	YES	YES	YES
12V & 24V OUTPUT OPTIONS	NO	YES	YES
UL RECOGNIZED - CLASS 2 & CLASS P	NO	NO	YES
UL LISTED - CLASS 2 & CLASS P	YES	YES	NO
RoHS CLASSIFICATION	YES	YES	YES
DRY & DAMP	YES	YES	YES
IP66	NO	NO	YES
OPERATING TEMPERATURES -40°C to 55°C / -40°F to 131°F	YES	YES	NO
OPERATING TEMPERATURES -30°C to 50°C / -22°F to 122°F	NO	NO	YES
SMALLER SIZE SMALLER COMPARIABLE TO THE ATLAS & ECONO SERIES	YES	YES	YES
SLIMMER SIZE SMALLER COMPARIABLE TO THE UTILITY & UTILITY DIMMABLE	NO	NO	YES
DIMMABLE OPTIONS	NO	YES	NO
5P / 5L WARRANTY	YES	YES	YES

UTILITY SERIES IS IDEAL FOR ENCLOSED APPLICATIONS

CHANNEL LETTERS | CABINETS | BLADE SIGNS | EDGELIT | RACEWAYS | DIMMABLE APPLICATIONS | LIMITED SPACE APPLICATIONS

SMALLER FOOTPRINT



FRANCE TRUPOWER POWER SUPPLIES NAVIGATION

12v30w E | 12v60w E | 12v120w E | 12v60w A | 12v120w A | 12v60w U | 12v60w D | 12v60w UM

24v30w E | 24v60w E | 24v100w E | 24v60w A | 24v100w D | 24v60w UM | 24v100w UM

FranceLighting.com - 800.793.4793 - 2268 Fairview Blvd., Fairview, TN 37062

Q4.11.24

