



STANDARD SINGLE | STANDARD DOUBLE
MINI SINGLE | MINI DOUBLE

FAST PAK INSTALLATION INSTRUCTIONS

Read and follow **ALL** instructions that are on the product or provided with the product.



WARNING

Risk of Electric Shock. When used outdoors, install only on a circuit protected by a Class A GFCI.



WARNING

Risk of Fire. Installation involves special wiring methods to run wiring through a building structure. Consult a qualified electrician.



WARNING

Risk of Electric Shock. Mount the unit at a height greater than 1 foot from the ground surface.

Installation work and electrical wiring **MUST** be done by qualified person(s) in accordance with all applicable codes and standards, including fire- rated construction.

Turn power off at fuse or breaker panel before installation, inspection, service, or removal.

For use in Wet, Damp, or Dry locations:

- Power Supply must be properly grounded before operation.
- This product is intended to be installed in accordance with the requirements of Article 600 of the National Electrical Code, NFPA 70 and/or other applicable local codes.
 - » This includes proper grounding and bonding of the sign.

All wiring **MUST** be rated at 105°C or greater.

SAVE THESE INSTRUCTIONS - This manual contains important safety and operating instructions for power units.

UL Listed France LED Power supply and UL Recognized toggle switch pre-mounted and wired in WET/Damp/Dry UL-Listed LED Power Supply Box -may be used outdoors without additional protection from precipitation if mounted as indicated in this document.

These LED Power Supply enclosures exceed the requirements of the 2017 NEC, Paragraph 600-8, Electric Signs and Outline Lighting - Enclosures and are listed to applicable US and Canadian standards and requirements by Underwriter's Laboratories, Inc. including UL48 and UL879. They are made of G90 galvanized steel sheet, .029 inch thick, which exceeds the requirements for minimum thickness and corrosion protection.

Power supplies are UL Listed Sign Accessories. The switch is a UL Recognized Sign Accessory.

Westrim LED Power Supply Boxes are rated WET for outdoor exposed locations, subject to precipitation, direct spray or splashing, do not require extra rain/ splash shields nor require being raised above a flat mounting surface as other brands do. Do not place where subject to flooding or standing water.

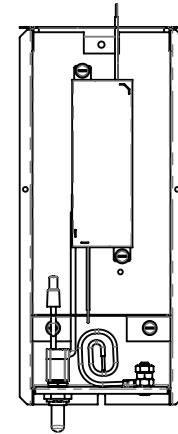
Contact France Customer Service at 800.793.4793

sales@sfeg.com | 2268 Fairview Blvd., Fairview, TN 37062

FAST PAK INSTALLATION & USE

1. Locate the LED Fast-Pak in an accessible indoor or outdoor location and securely fasten in place.
2. Mount either vertically (see above for acceptable orientation) or horizontally.
 - » **DO NOT** place product in location subject to standing water or flooding.
 - » The product is designed with drain holes, no drilling required.
 - » If used above suspended ceiling, **DO NOT** use the ceiling grid for support.
 - » **DO NOT** attempt to mount an additional power supply in the box - overheating of the power supplies will result.
 - » For WET location, use weatherproof conduit and connectors listed for this purpose for the service power entries and exits and power supply exits. In DRY and DAMP locations, also use connectors listed for this purpose.
3. Ensure the service wiring is routed into provided primary compartment.
4. Connect free black wire, from switch, to the service line wire. Connect free neutral wire, from either single driver or joined neutrals with jumper wire in **DOUBLE** models, to service neutral.
 - » The service ground wire must be securely connected to the pre-bounded case grounding wire. If driver model allows for grounding wire, ensure power supply grounding wire(s) are bonded to the case.
5. After each wire enters the enclosure, it must be formed into a drip loop.
6. Wire to 120/277-volt input **ONLY!**
 - » Wiring to 208/240-volt requires the switch be changed to a double pole switch to break both hot leads.
 - » **DO NOT** leave any wiring holes open. Use provided hole plugs to close any unused holes.
7. Secure the cover with metal screws supplied.
 - » **DO NOT** leave the cover off case.

SINGLE CAN



VERTICAL
INSTALLATION



UP



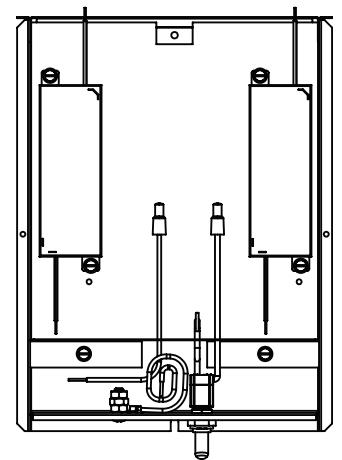
HORIZONTAL
INSTALLATION

DOUBLE CAN

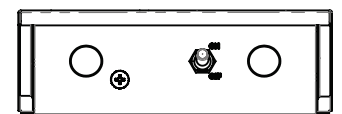
VERTICAL
INSTALLATION



UP



HORIZONTAL
INSTALLATION



Contact France Customer Service at 800.793.4793

sales@sfeg.com | 2268 Fairview Blvd., Fairview, TN 37062