

STAY LIT WITH WESTRIM

RIGID G90 GALVANIZED STEEL CONSTRUCTION

Uses the thickest galvanized coating in the sign industry
0.29 inches thick.

LISTED FOR WET, DRY, OR DAMP LOCATIONS

Maximum water resistance.
No extra rain shields required.
Required drain holes are included.

CONVENIENT 1/2 INCH CONDUIT KNOCK-OUTS

Primary and secondary
grounding capability
without drilling or
punching.
Primary wiring
compartment
partition complies
with UL 48 and
NEC 2023.
Knock-outs for
toggle switch
provided.

QUALITY HARDWARE

Hardware &
pre-installed ground wire included.

LOOKING FOR POWER?

France TruPower Fast Paks
come with power supplies
preinstalled.



ELECTRICAL SIGNAGE



ASK YOUR DISTRIBUTOR OR OUR REPRESENTATIVE FOR MORE INFORMATION



SFEG.com/France
2268 Fairview Blvd.
Fairview, TN 37062
sales@sfeg.com
800.793.4793



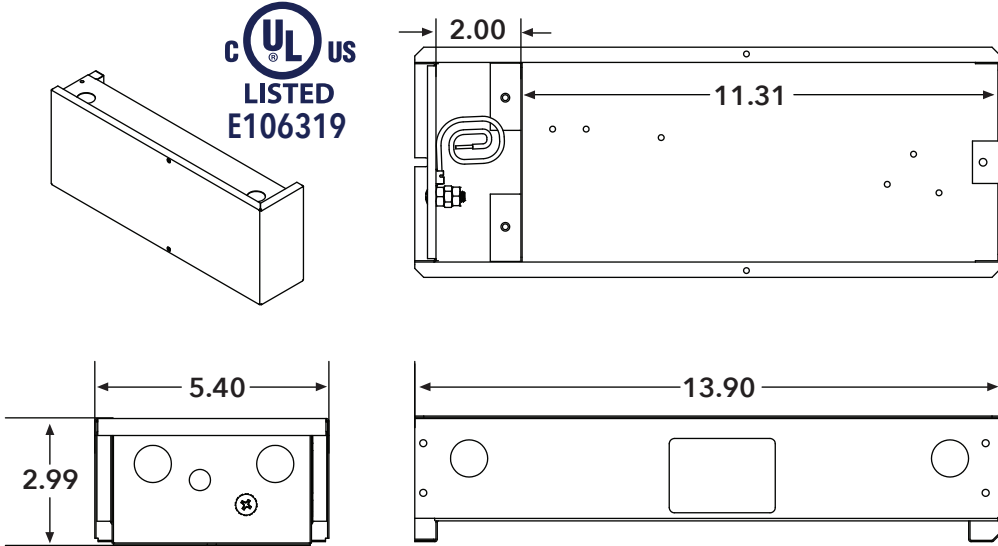
U.S. & CANADA REPRESENTATIVES

SCOTT CUTCHER
Central & Eastern U. S. | Eastern Canada

CALVIN ROLLYSON
Western U. S. | Western Canada

EMAIL: SALES@KORVISUALGROUP.COM | PHONE: (615) 900-0966

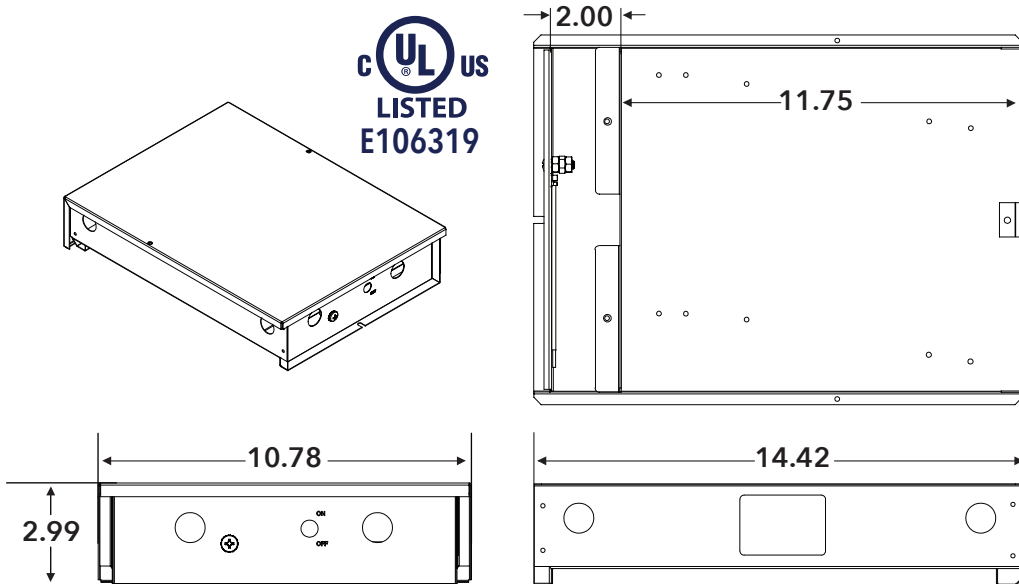
PRODUCT NAME	MODEL NUMBER	WESTRIM NUMBER	WEIGHT	PACKAGING
Single LED Power Supply Can	39006	S14HVW	2.6 lbs	12 per box



**NEED POWER?
ORDER A FAST PAK!**
 SEE HOW THE LED CANS PAIR WITH
 FRANCE POWER SUPPLIES AS FAST PAKS

FAST PAK MODEL	PART NUMBER	CONFIGURATION
SFP-1230-E	39006-01	1} DRV-1230-E
SFP-2430-E	39006-02	1} DRV-2430-E
SFP-1260-E	39006-03	1} DRV-1260-E
SFP-2460-E	39006-04	1} DRV-2460-E
SFP-12120-E	39006-08	1} DRV-12120-E
SFP-24100-E	39006-07	1} DRV-24100-E
SFP-24100-D	39006-09	1} DRV-24100-D

PRODUCT NAME	MODEL NUMBER	WESTRIM NUMBER	WEIGHT	PACKAGING
Double LED Power Supply Can	39002	D14HVW	4.0 lbs	6 per box



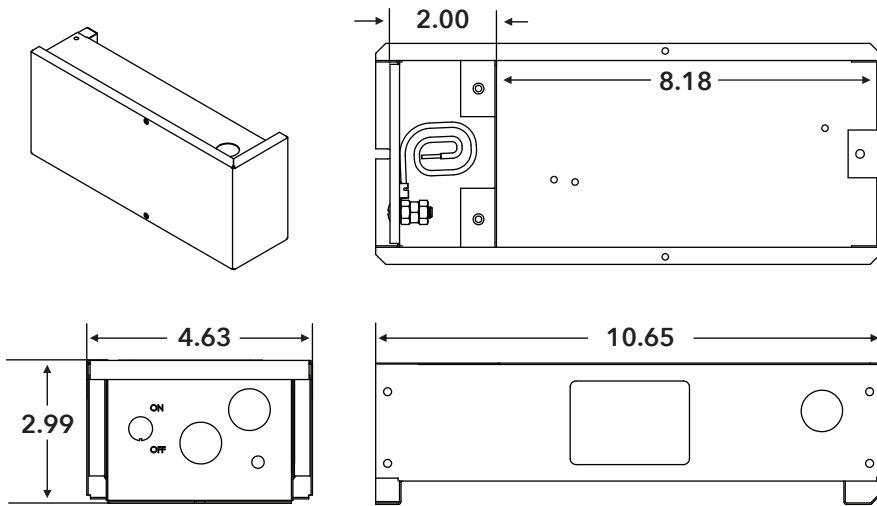
**NEED POWER?
ORDER A FAST PAK!**
 SEE HOW THE LED CANS PAIR WITH
 FRANCE POWER SUPPLIES AS FAST PAKS

FAST PAK MODEL	PART NUMBER	CONFIGURATION
DFP-12120-E	39002-03	2} DRV-1260-E
DFP-24120-E	39002-04	2} DRV-2460-E
DFP-12240-E	39002-08	2} DRV-12120-E
DFP-24192-E	39002-07	2} DRV-24100-E
DFP-12180-E	39002-38	1} DRV-1260-E 1} DRV12120-E
DFP-24156-E	39002-47	1} DRV-2460-E 1} DRV24100-E
DFP-24192-D	39002-09	2} DRV24100-D

WESTRIM PRODUCTS ALSO OFFERS HALEX ELECTRICAL CONDUIT AND FITTINGS. CONTACT FRANCE TO SEE WHAT ALL IS INCLUDED.

Contact France Customer Service at 800.793.4793
 2268 Fairview Blvd., Fairview, TN 37062

PRODUCT NAME	MODEL NUMBER	WESTRIM NUMBER	WEIGHT	PACKAGING
MINI Single LED Power Supply Can	38990	S11HVW	1.83 lbs	12 per box

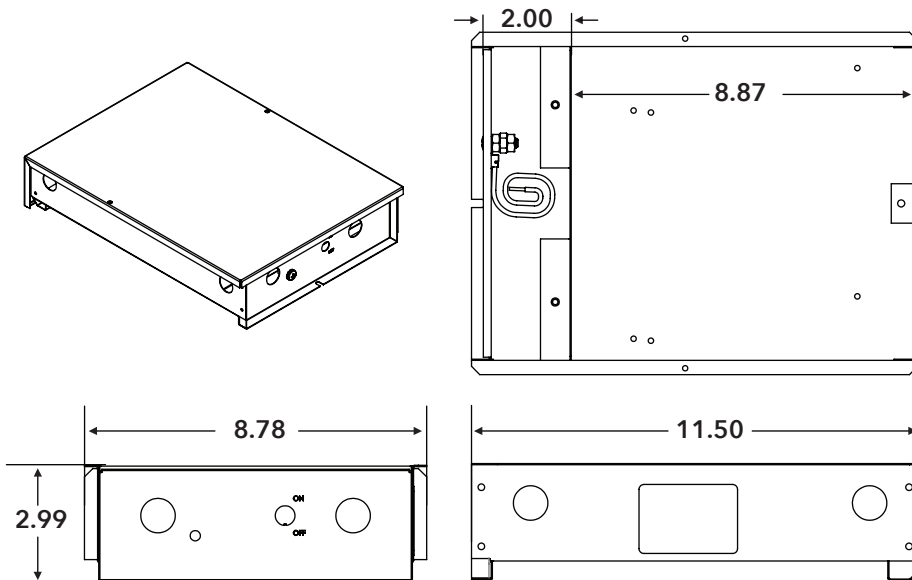


**NEED POWER?
ORDER A FAST PAK!**
 SEE HOW THE LED CANS PAIR WITH
 FRANCE POWER SUPPLIES AS FAST PAKS

FAST PAK MODEL	PART NUMBER	CONFIGURATION
SFP-1260-U	38990-01	1} DRV-1260-U
SFP-1260-D	38990-02	1} DRV-1260-D



PRODUCT NAME	MODEL NUMBER	WESTRIM NUMBER	WEIGHT	PACKAGING
MINI Double LED Power Supply Can	39018	D11HVW	3.06 lbs	6 per box



**NEED POWER?
ORDER A FAST PAK!**
 SEE HOW THE LED CANS PAIR WITH
 FRANCE POWER SUPPLIES AS FAST PAKS

FAST PAK MODEL	PART NUMBER	CONFIGURATION
DFP-12120-U	39018-01	2} DRV-1260-U
DFP-12120-D	39018-02	2} DRV-1260-D



WESTRIM PRODUCTS ALSO OFFERS HALEX ELECTRICAL CONDUIT AND FITTINGS. CONTACT FRANCE TO SEE WHAT'S INCLUDED.

Contact France Customer Service at 800.793.4793
 2268 Fairview Blvd., Fairview, TN 37062

Q1.2.25