

# STAY LIT WITH WESTRIM

### RIGID G90 GALVANIZED STEEL CONSTRUCTION

Uses the thickest galvanized coating in the sign industry 0.29 inches thick.

### LISTED FOR WET, DRY, OR DAMP LOCATIONS

Maximum water resistance.  
No extra rain shields required.  
Required drain holes are included.

### CONVENIENT 1/2 INCH CONDUIT KNOCK-OUTS

Primary and secondary grounding capability without drilling or punching.  
Primary wiring compartment partition complies with UL 48 and NEC 2023.  
Knock-outs for toggle switch provided.

### QUALITY HARDWARE

Hardware & pre-installed ground wire included.

### LOOKING FOR POWER?

France TruPower Fast Paks come with power supplies preinstalled.



## ELECTRICAL SIGNAGE



ASK YOUR DISTRIBUTOR OR OUR REPRESENTATIVE FOR MORE INFORMATION



SFEG.com/FRANCE  
2268 Fairview Blvd.  
Fairview, TN 37062  
sales@francelighting.com  
800.793.4793



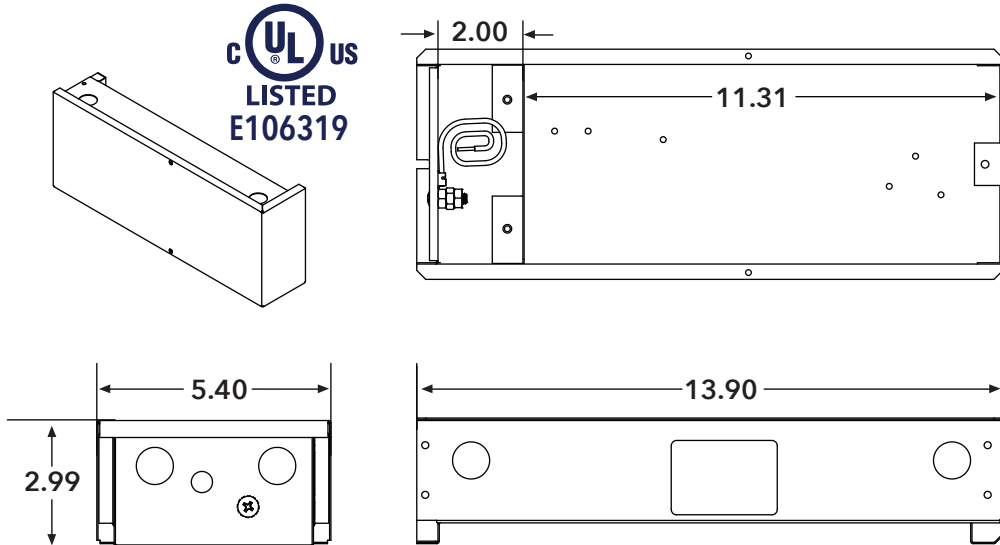
U.S. & CANADA REPRESENTATIVES

SCOTT CUTCHER  
Central & Eastern U. S. | Eastern Canada

CALVIN ROLLYSON  
Western U. S. | Western Canada

EMAIL: SALES@KORVISUALGROUP.COM | PHONE: (615) 900-0966

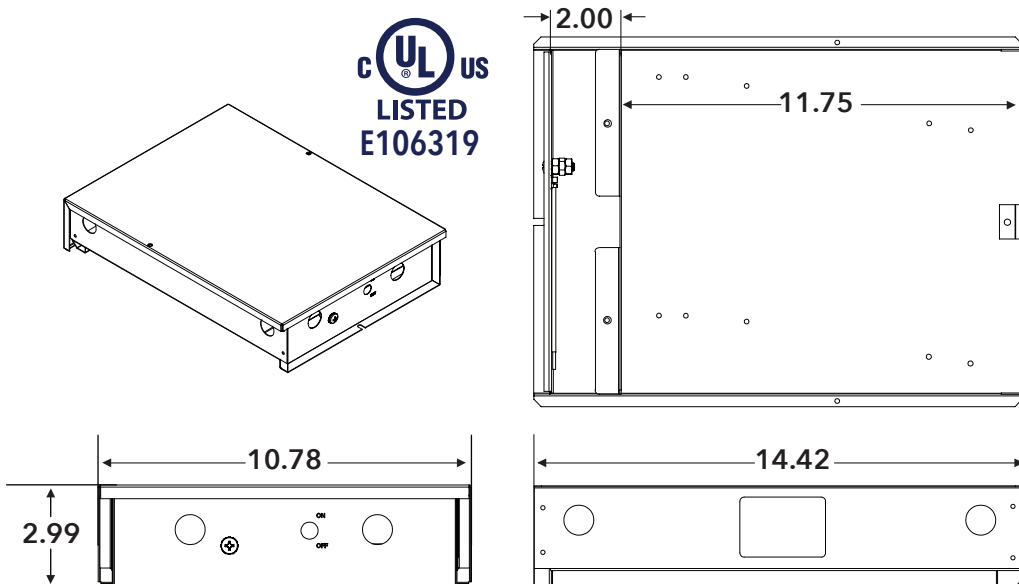
PRODUCT NAME	MODEL NUMBER	WESTRIM NUMBER	WEIGHT	PACKAGING
Single LED Power Supply Can	39006	S14HVW	2.6 lbs	12 per box



**NEED POWER?  
ORDER A FAST PAK!**  
 SEE HOW THE LED CANS PAIR WITH  
 FRANCE POWER SUPPLIES AS FAST PAKS

FAST PAK MODEL	PART NUMBER	CONFIGURATION
SFP-1230-E	39006-01	1} DRV-1230-E
SFP-2430-E	39006-02	1} DRV-2430-E
SFP-1260-E	39006-03	1} DRV-1260-E
SFP-2460-E	39006-04	1} DRV-2460-E
SFP-12120-E	39006-08	1} DRV-12120-E
SFP-24100-E	39006-07	1} DRV-24100-E
SFP-24100-D	39006-09	1} DRV-24100-D

PRODUCT NAME	MODEL NUMBER	WESTRIM NUMBER	WEIGHT	PACKAGING
Double LED Power Supply Can	39002	D14HVW	4.0 lbs	6 per box



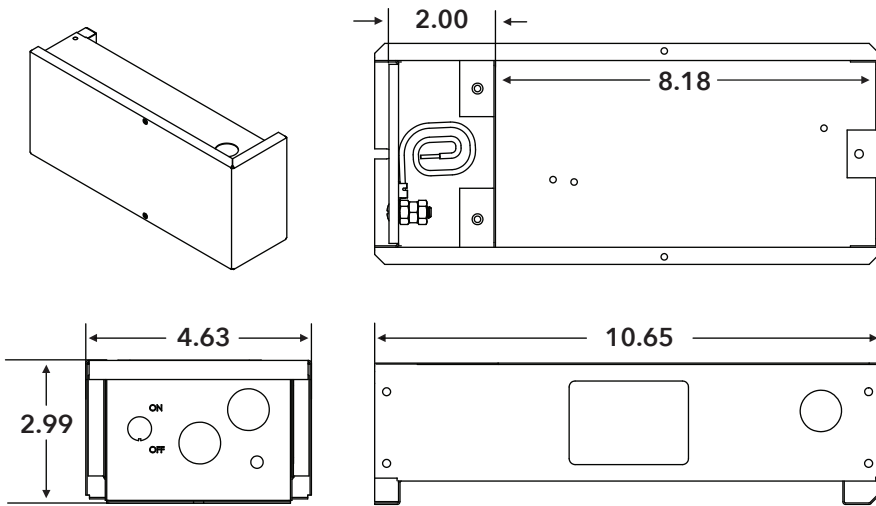
**NEED POWER?  
ORDER A FAST PAK!**  
 SEE HOW THE LED CANS PAIR WITH  
 FRANCE POWER SUPPLIES AS FAST PAKS

FAST PAK MODEL	PART NUMBER	CONFIGURATION
DFP-12120-E	39002-03	2} DRV-1260-E
DFP-24120-E	39002-04	2} DRV-2460-E
DFP-12240-E	39002-08	2} DRV-12120-E
DFP-24192-E	39002-07	2} DRV-24100-E
DFP-12180-E	39002-38	1} DRV-1260-E 1} DRV12120-E
DFP-24156-E	39002-47	1} DRV-2460-E 1} DRV24100-E
DFP-24192-D	39002-09	2} DRV24100-D

WESTRIM PRODUCTS ALSO OFFERS HALEX ELECTRICAL CONDUIT AND FITTINGS. CONTACT FRANCE TO SEE WHAT ALL IS INCLUDED.

**Contact France Customer Service at 800.793.4793**  
 2268 Fairview Blvd., Fairview, TN 37062

PRODUCT NAME	MODEL NUMBER	WESTRIM NUMBER	WEIGHT	PACKAGING
MINI Single LED Power Supply Can	38990	S11HVW	1.83 lbs	12 per box

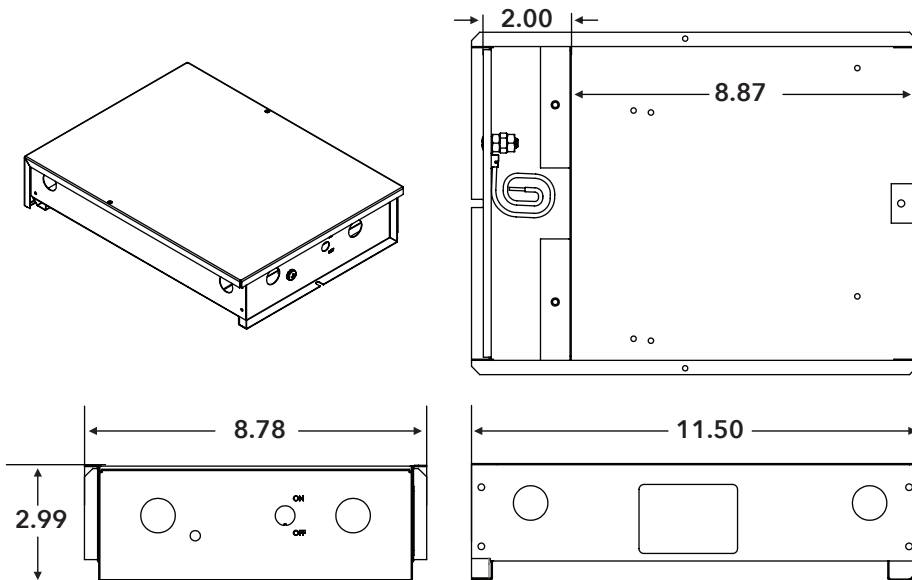


**NEED POWER?  
ORDER A FAST PAK!**  
 SEE HOW THE LED CANS PAIR WITH  
 FRANCE POWER SUPPLIES AS FAST PAKS

FAST PAK MODEL	PART NUMBER	CONFIGURATION
SFP-1260-U	38990-01	1} DRV-1260-U
SFP-1260-D	38990-02	1} DRV-1260-D



PRODUCT NAME	MODEL NUMBER	WESTRIM NUMBER	WEIGHT	PACKAGING
MINI Double LED Power Supply Can	39018	D11HVW	3.06 lbs	6 per box



**NEED POWER?  
ORDER A FAST PAK!**  
 SEE HOW THE LED CANS PAIR WITH  
 FRANCE POWER SUPPLIES AS FAST PAKS

FAST PAK MODEL	PART NUMBER	CONFIGURATION
DFP-12120-U	39018-01	2} DRV-1260-U
DFP-12120-D	39018-02	2} DRV-1260-D



WESTRIM PRODUCTS ALSO OFFERS HALEX ELECTRICAL CONDUIT AND FITTINGS. CONTACT FRANCE TO SEE WHAT'S INCLUDED.

**Contact France Customer Service at 800.793.4793**  
 2268 Fairview Blvd., Fairview, TN 37062

Q2.4.25